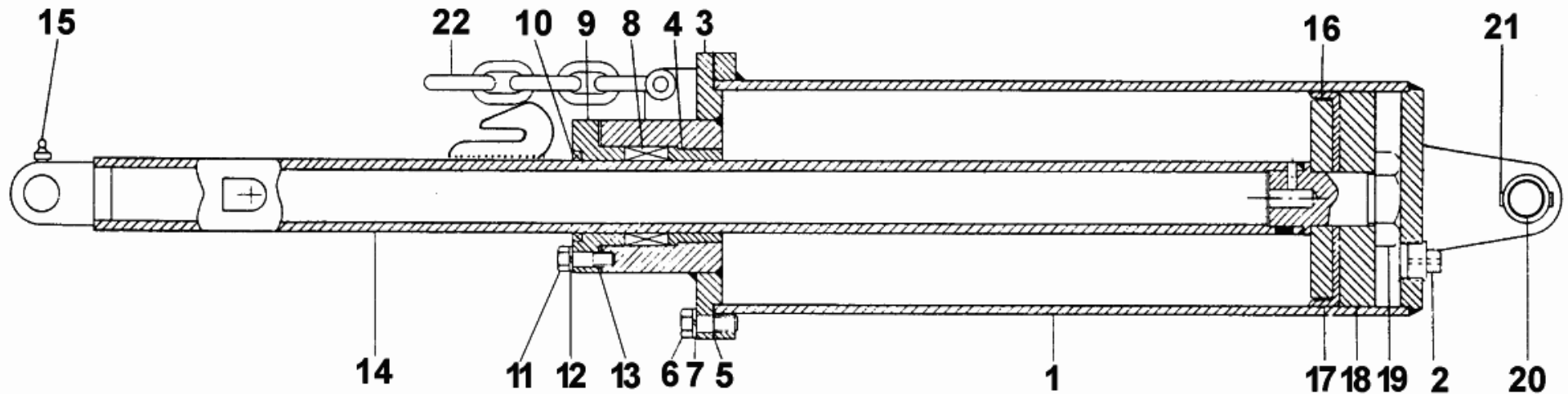


Long Tom

W-1672 Balance Cylinder Assembly



5 Commerce Crescent
North Bay, ON P1B 8G4
Tel: (705) 472-0430 Fax: (705) 472-5153
Email: info@jjmachineworks.com
Web: http://www.jjmachineworks.com
Revised: 2005-06-01



Ref. No.	Part No.	Description	Qty
1	X-1642	Balance Cylinder, Bare	1
2	Y-1263	Pipe Plug	1
3	X-1671	Cylinder Head	1
4	Y-271	Piston Rod Bearing	1
5	Y-272	Cylinder Head Gasket	1
6	-	HHCS 1/2" - 13 NC x 1-1/4"	8
7	-	1/2" Med. Pos. Lockwasher	8
8	Y-274	Set Rod Packing (Molythane)	1
9	Y-268	Packing Cap	1
10	250-G2	Rod Wiper	1
11	-	HHCS 7/16" - 14 NC x 1-1/4"	4

Ref. No.	Part No.	Description	Qty
12	-	7/16" Med. Pos. Lockwasher	4
13	Y-269	Packing Cap Gasket	1
14	Y-1257	Piston Rod	1
15	1610	Alemite Fitting	1
16	Y-265	Cup Follower	1
17	Y-266	Cup Packing (Molythane)	1
18	Y-267	Piston Head	1
19	Y-1250	Rod Nut	1
20	Y-1646	Pedestal Pin	1
21	59-077-375-1500	Roll Pin	1
22	-	Drop Lock Chain	1