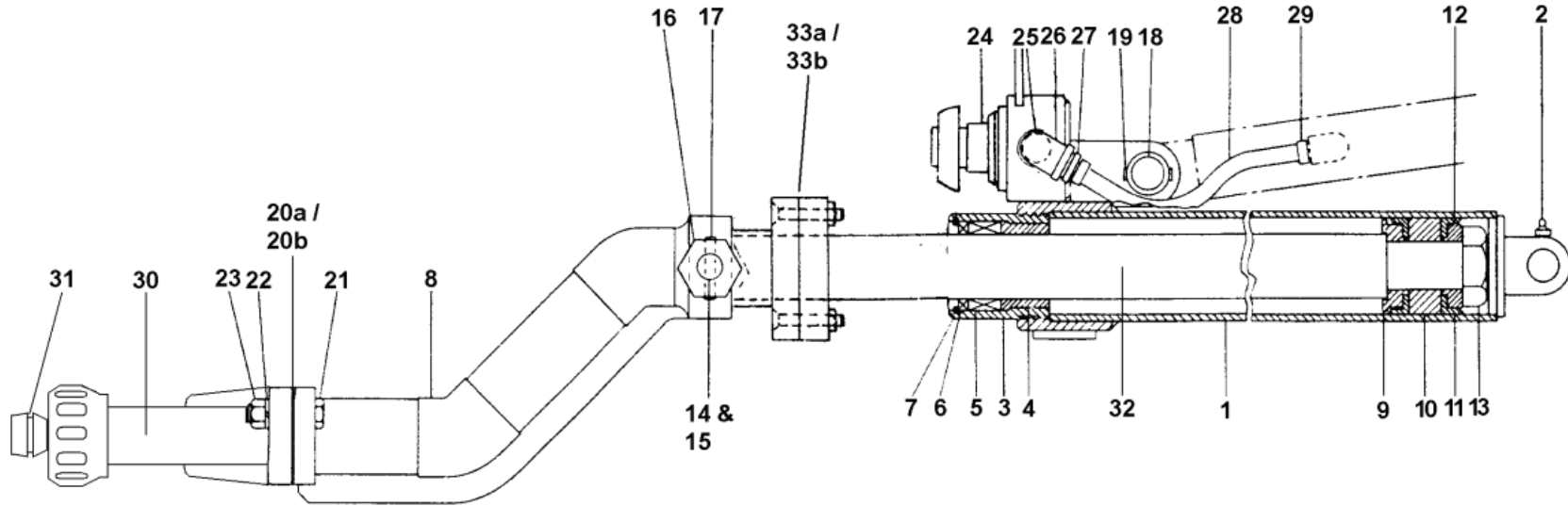


Long Tom W-2619 Leg Cylinder Assembly



5 Commerce Crescent
North Bay, ON P1B 8G4
Tel: (705) 472-0430 Fax: (705) 472-5153
Email: info@jjmachineworks.com
Web: http://www.jjmachineworks.com
Revised: 2005-08-08



Ref. No.	Part No.	Description	Qty
1	X-1656	Leg Cylinder, Bare	1
2	1610	Alemite Fitting	1
3	Y-1252	Packing Cap	1
4	Y-271	Piston Rod Bearing	1
5	Y-274	Set Rod Packing (Molythane)	1
6	275-HD2	Rod Wiper	1
7	5000-275	Retaining Ring	1
8	WB-2501-2	Gooseneck	1
9	W-2590	Inlet Cup Follower, 12" Long	1
9*	Y-1237	OPTIONAL: Inlet Cup Follower, 13/16" Long	1
10	Y-1238	Piston Head (Brass Guide)	1
11	Y-1241	Cup Packing (Molythane)	2
12	Y-1236	Cup Follower	1
13	Y-1250	Rod Nut	1
14	Y-1745	Reverse Valve	1
15	6227-11	"O" Ring (Feed / Reversing Valve)	3
16	Y-2030-A	Valve Handle - short, no pin	1
16	Y-2030-B	Valve Handle - long, w / pin	1
16	Y-2030-C	Valve Handle - long, w / pin & extension handle	1

Ref. No.	Part No.	Description	Qty
17	59-048-250-1750	Roll Pin	2
18	Y-1647	Leg Lift Pin	1
19	59-077-375-1500	Roll Pin	1
20a	Y-1384	Gasket (or use 20b)*	1
20b	YJ-230	O-ring (or use 20a)*	1
21	-	HHCS 1/2" - 13 NC x 2-1/4"	4
22	-	1/2" Med. Pos. Lockwasher	4
23	-	Hex. Nut Reg SF 1/2" - 13 NC	4
24	J-213AC	Self-Relieving Pressure Regulator	1
25	-	3/8" Close Nipple	2
26	-	3/8" - 90° Elbow	2
27	-	3/8" to 1/4" Hex. Bushing	2
28	1525-4	Aeroquip Hose, 7 1/4" Long	2
29	4738-4-4B	Aeroquip Fitting	4
30	C-109HD	Heavy Duty Secan Drill Adapter	1
31	YJ-215	"O" Ring	1
32	Y-1730	Piston Rod (Bare)	1
33a	Y-269	Packing Cap Gasket (or use 33b)*	1
33b	2813002	"O" Ring (or use 33a)*	1