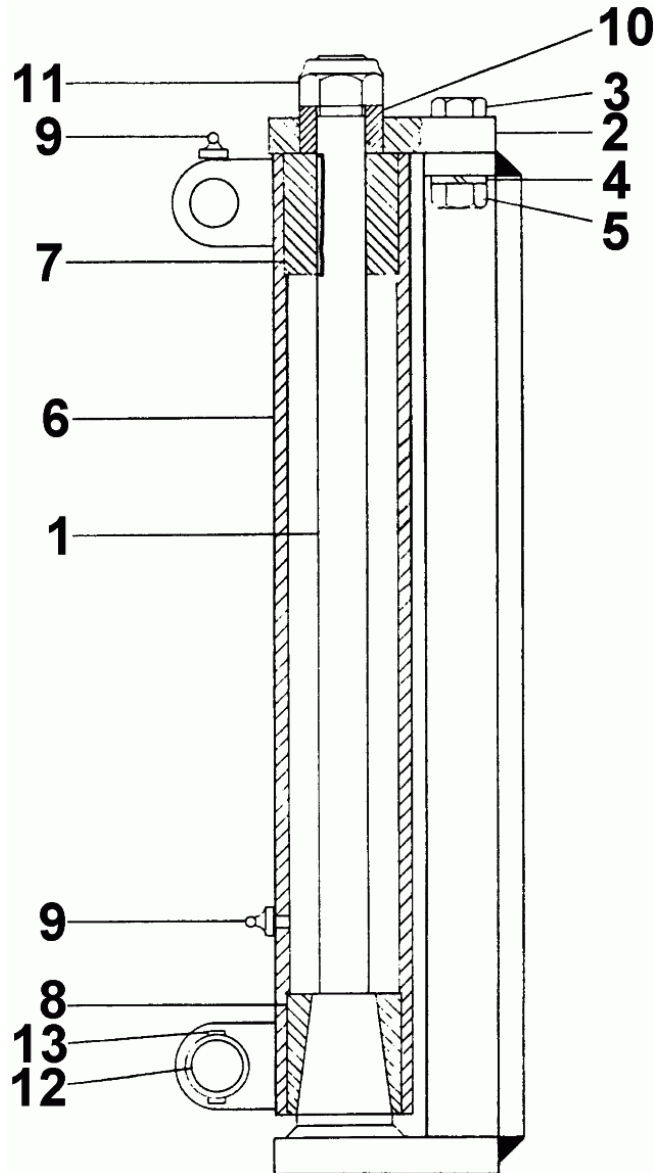


Long Tom

X-1674 Mounting Bracket Assembly



5 Commerce Crescent
 North Bay, ON P1B 8G4
 Tel: (705) 472-0430 Fax: (705) 472-5153
 Email: info@jjmachineworks.com
 Web: http://www.jjmachineworks.com
 Revised: 2005-06-01



<i>Ref. No.</i>	<i>Part No.</i>	<i>Description</i>	<i>Qty</i>
1	W-1511	Mounting Plate, Bare	1
2	Y-1631	Top Bearing Plate	1
3	-	HHCS 5/8" - 11 NC x 2"	2
4	-	5/8" Med. Pos. Lockwasher	2
5	-	Hex. Nut Reg. SF 5/8" - 11 NC	2
6	X-1637	Taper Lock Pedestal, Bare	1
7	Y-1282	Top Bushing	1
8	Y-1283	Taper Bushing	1
9	1610	Alemite Fitting	2
10	Y-1280	Pedestal Pressure Ring	1
11	49TU-168	Nylon Insert Nut	1
12	Y-1647	Pedestal Leg Pin	1
13	59-077-375-1500	Roll Pin 3/8 x 1-1/2	1